**MITSUBISHI  
ELECTRIC**  
DLP™ PROJECTOR

*Changes for the Better*

*Brightness*  
**2000lm**

*Contrast*  
**2500:1**

*Long Life Lamp*  
**4000h**

***Make the pitch,  
for big screen pleasure!***



**HD  
ready**

**HDMI™**  
HIGH DEFINITION MULTIMEDIA INTERFACE

PICTURE BY  
**DLP**  
TEXAS INSTRUMENTS

**HD4000**  
HOME ENTERTAINMENT PROJECTOR

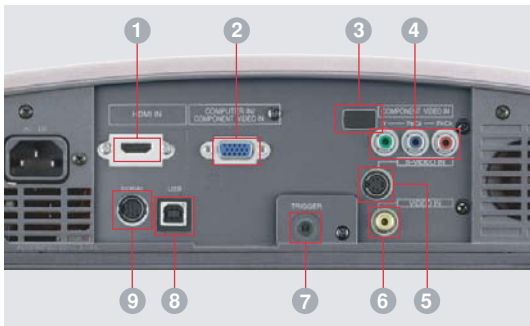


# HD4000

## HOME ENTERTAINMENT PROJECTOR



### Input and Output Terminals



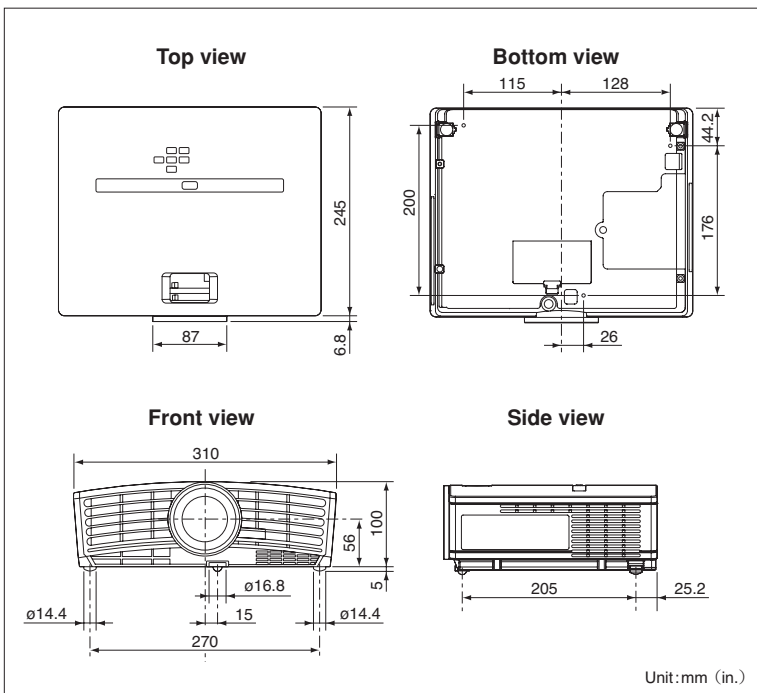
- 1 HDMI× 1
- 2 RGB Inx 1
- 3 Remote IR
- 4 Component Y/Cb/Cr
- 5 S-video
- 6 Video In
- 7 Trigger Out
- 8 USB
- 9 RS-232C

### Specifications

Model	HD4000
Display technology	0.65"1-chip DMD, 12deg. LVDS, DarkChip2™ with DDP3020
Resolution	1280× 768 (total 983,040 pixels), 600video lines
Brightness	2000lm (Lamp Low Mode 1550lm)
Contrast	2500 : 1
Picture Size	40" ~ 275" (100"=3.6m)
Source lamp	200W (Shut Off Time 4000Hrs) with Low Mode 250W (Shut Off Time 2000Hrs)
Computer compatibility	640× 480~1280× 1024(compressed) WXGA(1280×768, 1280×800 ), Sync on green available
Video compatibility	NTSC / NTSC 4.43 / PAL (including PAL-M, N) / SECAM / PAL-60 Component Video; 480i/p(525i/p), 576i/p(625i/p), 720p(750p 50/60Hz), 1080i(1125i 60Hz), 1080i(1125i 50Hz), SCART(RGB+1V sync)
PC input terminals	RGB: mini D-sub 15pin× 1, HDMI×1
Video input terminals	Video: RCA× 1, S-video× 1, RCA(Y, Cb, Cr)×1
Output terminals	12V Trigger Out: Stereo mini jack× 1
Communication terminals	RS-232C× 1 (Direct command is available), USB (Only for service)
Fan noise	31dBa (Lamp low mode)
Dimension (W× H× D)	310× 100× 245mm (excluding height adjuster)
Weight	2.9kg / 6.5lbs
Power supply	AC100 - 240V, 50 / 60Hz
Optional lamp	VLT-HC900LP

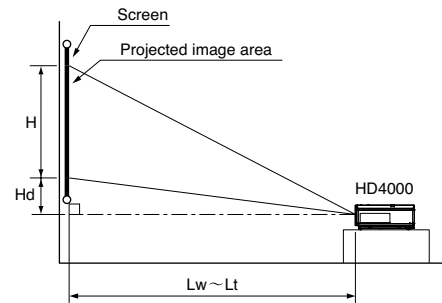
\* All brand names and product names are trademarks, registered trademarks or trade names of their respective holders. \*DLP (Digital Light Processing), BrilliantColor are trademarks of Texas Instruments.

### Dimensions



### Screen size and Projection distance

As seen from the side



With screen aspect ratio of 16:9

Diagonal (type designation)	Screen size		Hd(cm)	Projection distance	
	W:width (cm)	H:height (cm)		Lw: Without magnification(m)	Lt: With max. magnification(m)
40	89	50	17	1.4	1.7
60	133	75	25	2.2	2.6
70	155	87	29	2.5	3.1
80	177	100	33	2.9	3.5
90	199	112	38	3.3	4.0
100	221	125	42	3.6	4.4
110	244	137	46	4.0	4.9
120	266	149	50	4.4	5.3
150	332	187	63	5.5	6.6
275	609	342	115	10.1	-

The above numbers are approximate, and may be slightly different from the actual measurements.

## MITSUBISHI ELECTRIC EUROPE (BENELUX Office)

Nijverheidsweg 23A, 3641 RP Mijdrecht - The Netherlands  
Tel: +31 (0)297-282461 Fax: +31 (0)297-283936 - [www.MitsubishiElectric.nl](http://www.MitsubishiElectric.nl)