

MITSUBISHI ELECTRIC

Display Solutions

SD510U

crystal clear
display solutions



Engineered for Richer Colours and Long-life performance

Functional Performance at its best

- 2600 ANSI lumens
- 2000:1 contrast ratio
- Super low noise operation at 29dBa (low mode)
- Splash screen wall screen support

Lower Cost of Ownership for a Better Investment

- Long-life lamp of 4000 hours (low mode)
- Top-access lamp cover for easy lamp replacement
- Filter-free design
- Enhanced security features with reinforced anchor bars and password protection
- Time-saving instant shut down feature



Top Access Lamp Cover



Splash screen

BrilliantColour™ Technology and Mitsubishi Engineering Provide Superior Colour Performance

BrilliantColour™ Technology is the latest innovation to produce richer colours and vibrant images. To further enhance performance, Mitsubishi has developed a new 6-segment colour wheel, adding yellow and cyan segments to the usual red, green, blue and white segments, therefore producing a wider colour spectrum. In addition, colour algorithms have been coded to provide emphasis on brightness or colour modes, according to the environment.

The above technology coupled with selective lamp powered modulation techniques, ensures that the SD510U acts intelligently to boost colours, improving the intensity and vibrancy of the entire displayed image.

2600 ANSI LUMENS 4000 HOUR LAMP LIFE

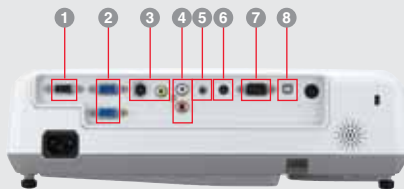
NEW



Mobile SVGA **SD510U**



Input and Output Terminals



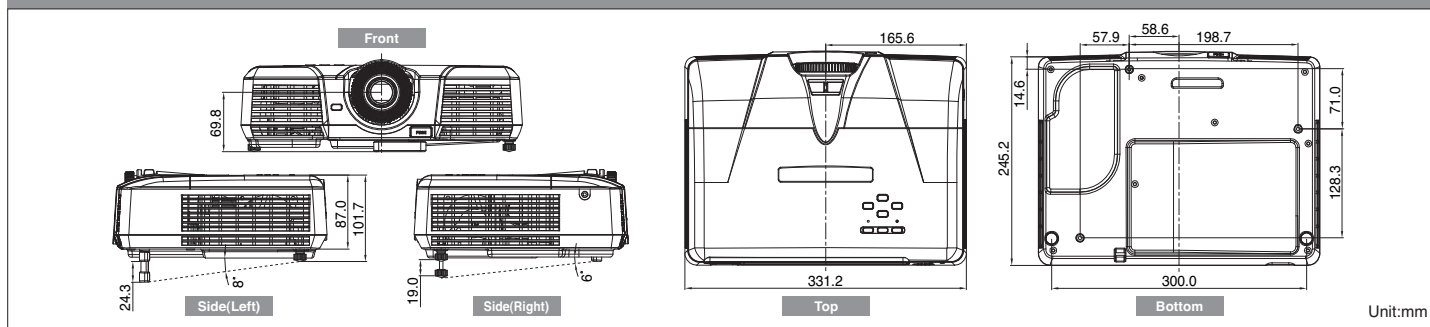
- ① PC / Component Video output
- ② PC / Component Video input (mini D-sub 15pin)
- ③ S-Video / RCA
- ④ Audio input [RCA jack (L/R)]
- ⑤ Audio input (stereo mini jack)
- ⑥ Audio output
- ⑦ Serial RS-232C
- ⑧ USB terminal for Page Up/Down

Specifications

Model	SD510U
Display technology	0.55"1-Chip DMD
Resolution	800 x 600 (total 480,000 pixels)
Brightness	2600 ANSI lumens
Contrast	2000:1
Picture Size	40"~300"
Source lamp	180W (Shut Off Time 4000Hrs) with Low Mode 230W (Shut Off Time 2000Hrs) with Standard Mode
Computer compatibility	640 x 480 ~ 1280 x 1024 (except WXGA) True: 800 x 600, Sync on green available
Video compatibility	NTSC / NTSC4.43 / PAL (including PAL-M, N) / SECAM/PAL-60, Component Video : 480i/p (525i/p), 576i/p (625i/p), 720p (750p), 1080i (1125i 60Hz), 1080i (1125i 50Hz)
Input terminals	RGB : mini D-sub15pin x 2, Video : RCA x 1 + S-video x 1 Audio : stereo mini jack (φ3.5mm) x 1, RCA jack (L/R) x 1
Output terminals	RGB : mini D-sub15pin x 1, Audio : stereo mini jack (φ3.5mm) x 1
Communication terminals	RS-232C (D-sub 9pin) x 1, USB terminal for Page Up/Down x 1
Audio speaker	2W mono
Fan noise	29dBA (Low Mode)
Dimensions(WxHxD)	332 x 102 x 250 mm / 13.1 x 4.0 x 9.8 inch (excluding height adjustment)
Weight	2.9kg / 6.5lbs
Power supply	AC100-240V, 50/60Hz
Optional lamp	VLT-XD510LP

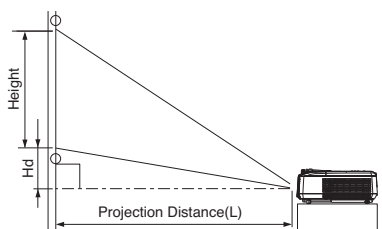
*All brand names and product names are trademarks, registered trademarks or trade names of their respective holders.

Dimensions



Screen size and Projection distance

As seen from the side



Screen size chart

Screen (4:3 aspect ratio)		Distance from screen (L)				Height projected image (Hd)					
		Shortest		Longest							
Diagonal size	Width (W)	Height (H)									
inch	cm	inch	cm	inch	m	inch	m	inch	cm		
40	102	32	81	24	61	51	1.3	62	1.6	1.8	5
60	152	48	122	36	91	77	2.0	94	2.4	2.7	7
80	203	64	163	48	122	103	2.6	125	3.2	3.6	9
100	254	80	203	60	152	129	3.3	157	4.0	4.5	11
150	381	120	305	90	229	195	4.9	236	6.0	6.8	17
200	508	160	406	120	305	260	6.6	315	8.0	9.0	23
250	635	200	508	150	381	326	8.3	394	10.0	11.3	29
300	762	240	610	180	457	391	9.9	-	-	13.5	34

The above numbers are approximate, and may be slightly different from the actual measurements.

MITSUBISHI ELECTRIC EUROPE

New publication, effective December 2007 Specifications subject to change without notice.