

**MULTIMEDIA DATA/VIDEO PROJECTORS**

Our New Standard... Their New Benchmark...  
Engineered for Richer Colors and Long-life Performance.



**NEW**

Mobile XGA

**XD510U**

Mobile SVGA

**SD510U**

Mobile XGA

**XD500U**

### Functional Performance at its best

- ▶ 2600\*ANSI lumens of outstanding brightness  
\*XD500U is 2200 ANSI lumens
- ▶ 2000:1 rich contrast ratio
- ▶ Super low noise operation at 26dBA\* (low mode/XD500U)  
\*XD510U & SD510U are 29dBA (low mode)
- ▶ Center lens design for easy symmetrical installation
- ▶ Splash screen and wall screen support
- ▶ Discreet audio and video inputs for computers and video sources

### Lower Cost of Ownership for a Better Investment

- ▶ Long-life lamp of 4000 hours\* (low mode)  
\*XD500 is 3000 hours (low mode)
- ▶ Top-access lamp cover for easy lamp replacement
- ▶ Filter-free design
- ▶ Enhanced security features  
with reinforced anchor bars and password protection
- ▶ Time-saving instant shut down feature



Top Access Lamp Cover



Splash screen

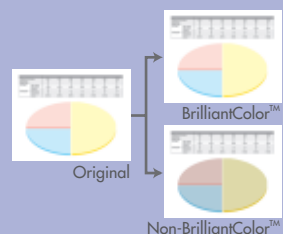
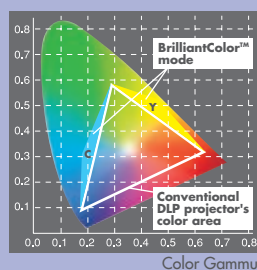
### BrilliantColor™ Technology and Mitsubishi's Engineering Yields Superior Color Performance

BrilliantColor™ Technology is Texas Instruments' latest innovation for richer colors and better imaging for vibrant displays. At Mitsubishi, we developed a 6-segment color wheel that includes RGBWYC. Apart from the typical red, green, blue and white, we added yellow and cyan segments to display a wider color spectrum. In addition, we coded our color algorithms to emphasize brightness or color modes, designed to match the environment where the XD510U series is used.

Together with selective lamp powered modulation techniques, the XD510U series with BrilliantColor™ technology acts intelligently to boost colors to improve the intensity and vibrancy of an entire display.

For instance, when projecting an already-bright screen image, the lamp is programmed to provide brighter, more vivid colors. In contrast, if the image shows genuine color reproduction, the algorithm delivers just the right colors with the appropriate radiance for maximum visual impact.

\*BrilliantColor is a trademark of Texas Instruments.



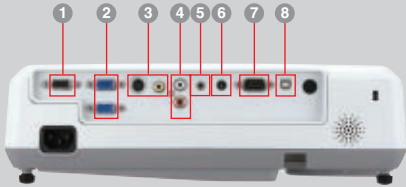
NEW



Mobile XGA **XD510U**  
 Mobile SVGA **SD510U**  
 Mobile XGA **XD500U**



### Input and Output Terminals



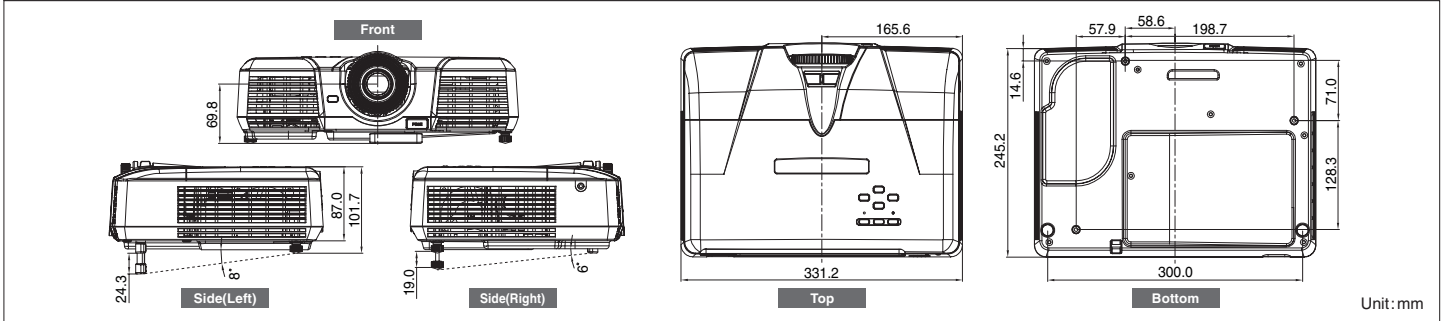
- 1 PC / Component Video output
- 2 PC / Component Video input (mini D-sub 15pin)
- 3 S-Video / RCA
- 4 Audio input [RCA jack (L/R)]
- 5 Audio input (stereo mini jack)
- 6 Audio output
- 7 Serial RS-232C
- 8 USB terminal for Page Up/Down

### Specifications

Model	XD510U	SD510U	XD500U
Display technology	0.55"1-Chip DMD / 16.7milj.colours		
Resolution	1024 x 768 (total 786,432 pixels)	800 x 600 (total 480,000 pixels)	1024 x 768 (total 786,432 pixels)
Brightness	2600lm		2200lm
Contrast	2000:1		
Picture Size	0.9m~6.5m / Through Distance: 1.0m~8.0m		
Source lamp	180W (Shut Off Time 4000Hrs) with Low Mode 230W (Shut Off Time 2000Hrs) with Standard Mode		150W (Shut Off Time 3000Hrs) with Low Mode 200W (Shut Off Time 2000Hrs) with Standard Mode
Computer compatibility	640 x 480 ~ 1280 x 1024 True: 1024 x 768, Sync on green available	640 x 480 ~ 1280 x 1024 (except WXGA) True: 800 x 600, Sync on green available	640 x 480 ~ 1280 x 1024 True: 1024 x 768, Sync on green available
Video compatibility	NTSC / NTSC4.43 / PAL (including PAL-M, N) / SECAM/PAL-60, Component Video : 480i/p (525i/p), 576i/p (625i/p), 720p (750p), 1080i (1125i 60Hz), 1080i (1125i 50Hz)		
Input terminals	RGB : mini D-sub15pin x 2, Video : RCA x 1 + S-video x 1 Audio : stereo mini jack (φ3.5mm) x 1, RCA jack (L/R) x 1		
Output terminals	RGB : mini D-sub15pin x 1, Audio : stereo mini jack (φ3.5mm) x 1		
Communication terminals	RS-232C (D-sub 9pin) x 1, USB terminal for Page Up/Down x 1		
Auto Position	Yes, one touch set up		
Fan noise	29dBA (Low Mode)		26dBA (Low Mode)
Dimensions(WxHxD)	332 x 102 x 250 mm / 13.1 x 4.0 x 9.8 inch (excluding height adjustment)		
Weight	2.9kg / 6.5lbs		
Power supply	AC100-240V, 50/60Hz		
Optional lamp	VLT-XD510LP		VLT-XD500LP

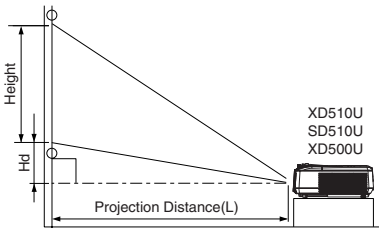
\*All brand names and product names are trademarks, registered trademarks or trade names of their respective holders.

### Dimensions



### Screen size and Projection distance

As seen from the side



#### Screen size chart (XD510U/SD510U)

Diagonal size	Screen (4:3 aspect ratio)				Distance from screen (L)				Height projected image (Hd)		
	Width (W)		Height (H)		Shortest		Longest		inch		
40	102	32	81	24	61	51	1.3	62	1.6	1.8	5
60	152	48	122	36	91	77	2.0	94	2.4	2.7	7
80	203	64	163	48	122	103	2.6	125	3.2	3.6	9
100	254	80	203	60	152	129	3.3	157	4.0	4.5	11
150	381	120	305	90	229	195	4.9	236	6.0	6.8	17
200	508	160	406	120	305	260	6.6	315	8.0	9.0	23
250	635	200	508	150	381	326	8.3	394	10.0	11.3	29
300	762	240	610	180	457	391	9.9	-	-	13.5	34

#### Screen size chart (XD500U)

Diagonal size	Screen (4:3 aspect ratio)				Distance from screen (L)				Height projected image (Hd)		
	Width (W)		Height (H)		Shortest		Longest		inch		
40	102	32	81	24	61	55	1.4	68	1.7	1.8	5
60	152	48	122	36	91	84	2.1	103	2.6	2.7	7
80	203	64	163	48	122	112	2.8	137	3.5	3.6	9
100	254	80	203	60	152	141	3.6	172	4.4	4.5	11
150	381	120	305	90	229	212	5.4	259	6.6	6.8	17
200	508	160	406	120	305	283	7.2	345	8.8	9.0	23
250	635	200	508	150	381	354	9.0	432	11.0	11.3	29
300	762	240	610	180	457	425	10.8	-	-	13.5	34

The above numbers are approximate, and may be slightly different from the actual measurements.

**MITSUBISHI ELECTRIC CORPORATION**  
 HEAD OFFICE : TOKYO BLDG., 2-7-3, MARUNOUCHI, CHIYODA-KU, TOKYO 100-8310, JAPAN

To find out more about XD510U/SD510U/XD500U and our projectors, visit us at

**Global.MitsubishiElectric.com/projectors/**