



MITSUBISHI ELECTRIC

MULTIMEDIA DATA/VIDEO PROJECTORS

Changes for the Better



Our New Standard... Their New Benchmark...
Engineered for Richer Colors and High Brightness.

WIRELESS DVI



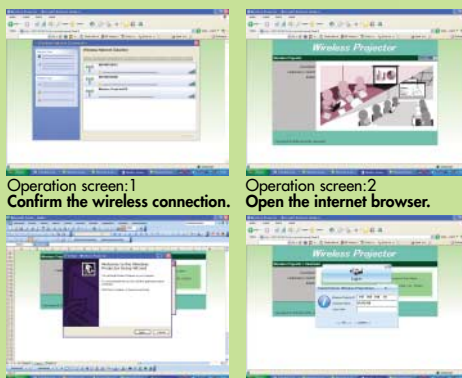
Functional Performance at its Best

- ▶ Bright 3000 ANSI lumens
- ▶ 2000:1 rich contrast ratio
- ▶ Center lens design for easy symmetrical installation
- ▶ Splash screen and wall screen support
- ▶ Time-saving instant shut down feature
- ▶ DVI Connectivity
You can project native digital signals in all its full high-definition glory via the XD530E DVI input source.



Splash screen

- ▶ Simple Wireless
It is not necessary to manually insert a CD-ROM* on your system, since all the necessary installation files can be downloaded. In just four simple steps you can access your projector wirelessly, making installation a snap.



*A wireless LAN connection between the projector and personal computer is necessary.

Easy Maintenance & Enriched Security Features

- ▶ Top-access lamp cover for easy lamp replacement
- ▶ Filter-free design
- ▶ Enhanced security features with reinforced anchor bars and password protection



Top Access Lamp Cover

NEW

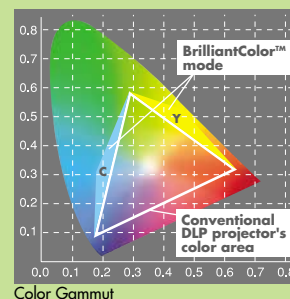
Mobile XGA
XD530E

BrilliantColor™ Technology and MitsubishiElectric's Engineering Yields Superior Color Performance

BrilliantColor™ Technology is Texas Instruments' latest innovation for richer colors and better imaging for vibrant displays. At MitsubishiElectric, we developed a 6-segment color wheel that includes RGBWYC. Apart from the typical red, green, blue and white, we added yellow and cyan segments to display a wider color spectrum. In addition, we coded our color algorithms to emphasize brightness or color modes, designed to match the environment where the XD530E is used.

Together with selective lamp powered modulation techniques, the XD530E with BrilliantColor™ technology acts intelligently to boost colors to improve the intensity and vibrancy of an entire display. For instance, when projecting an already-bright screen image, the lamp is programmed to provide brighter, more vivid colors. In contrast, if the image shows genuine color reproduction, the algorithm delivers just the right colors with the appropriate radiance for maximum visual impact.

*BrilliantColor is a trademark of Texas Instruments.



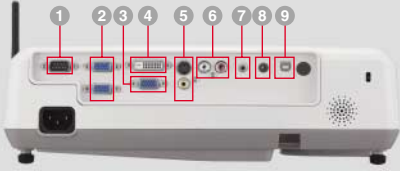


Mobile XGA
XD530E

NEW



Input and Output Terminals



- 1 Serial RS-232C
- 2 PC / Component Video input (mini D-sub 15pin)
- 3 PC / Component Video output
- 4 DVI-D (with HDCP) 5 S-Video / RCA
- 6 Audio input [RCA jack (L/R)]
- 7 Audio input (stereo mini jack) 8 Audio output
- 9 USB terminal for Page Up/Down

Wireless Antenna and RJ45 Terminal



Wireless antenna and RJ45 terminal incorporated into the side of the projector.
*RJ45 terminal is not for control, but used only for sending images from computer.

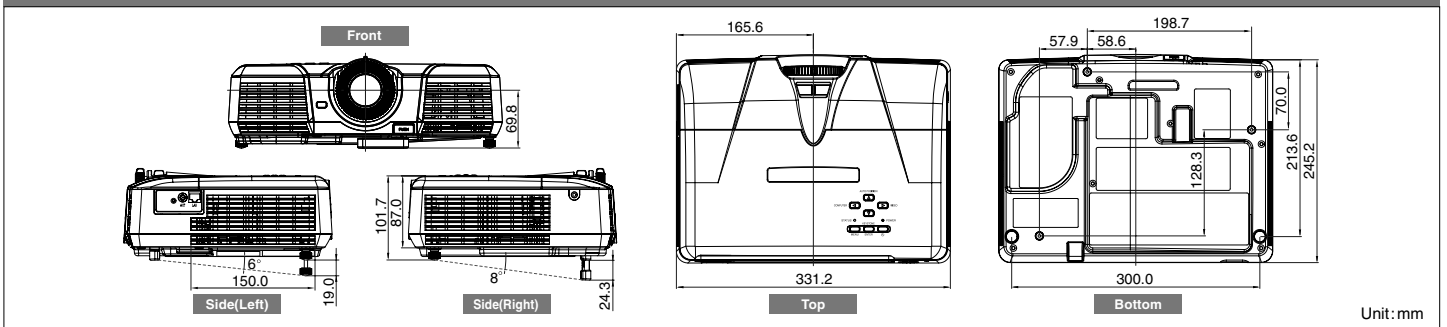
Specifications

Model	XD530E
Display technology	0.55"1-Chip DMD
Resolution	1024 x 768 (total 786,432 pixels)
Brightness	3000lm
Contrast	2000:1
Picture Size	40" ~ 300"
Source lamp	230W (Shut Off Time 3000Hrs) with Low Mode, 280W (Shut Off Time 2000Hrs) with Standard Mode
Computer compatibility	640 x 480 ~ 1280 x 1024, True: 1024 x 768, include WXGA, Sync on green available
Input signal system	Video
	PC
Input terminals	NTSC / NTSC4.43 / PAL (including PAL-M, N) / SECAM / PAL-60 Component Video : 480i/p (525i/p), 576i/p (625i/p), 720p (750p), 1080i (1125i 60Hz), 1080i (1125i 50Hz) Windows 2000 / XP / Vista*
Output terminals	RGB : mini D-sub15pin x 2, DVI-D (with HDCP) x 1, Video : RCA x 1 + S-video x 1 Audio : stereo mini jack (φ3.5mm) x 1, RCA jack (L/R) x 1
Communication terminals	RS-232C (D-sub 9pin) x 1, USB terminal for Page Up/Down x 1
Audio speaker	2W mono
Dimensions(WxHxD)	332 x 102 x 250 mm / 13.1 x 4.0 x 9.8 inch (excluding height adjustment)
Weight	3.4kg / 7.5lbs
Power supply	AC100-240V, 50/60Hz
Optional lamp	VLT-XD520LP

*Operation not guaranteed on Vista.

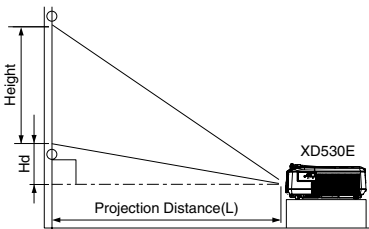
*All brand names and product names are trademarks, registered trademarks or trade names of their respective holders.

Dimensions



Screen size and Projection distance

As seen from the side



Screen size chart

Screen (4:3 aspect ratio)						Distance from screen (L)				Height projected image (Hd)	
Diagonal size	Width (W)		Height (H)		Shortest	Longest			Height projected image (Hd)		
inch	cm	inch	cm	inch	cm	inch	m	inch	m	inch	cm
40	102	32	81	24	61	51	1.3	62	1.6	1.8	5
60	152	48	122	36	91	77	2.0	94	2.4	2.7	7
80	203	64	163	48	122	103	2.6	125	3.2	3.6	9
100	254	80	203	60	152	129	3.3	157	4.0	4.5	11
150	381	120	305	90	229	195	4.9	236	6.0	6.8	17
200	508	160	406	120	305	260	6.6	315	8.0	9.0	23
250	635	200	508	150	381	326	8.3	394	10.0	11.3	29
300	762	240	610	180	457	391	9.9	-	-	13.5	34

Screen (16:9 aspect ratio)						Distance from screen (L)				Height projected image (Hd)	
Diagonal size	Width (W)		Height (H)		Shortest	Longest			Height projected image (Hd)		
inch	cm	inch	cm	inch	cm	inch	m	inch	m	inch	cm
40	102	35	89	20	50	56	1.4	68	1.7	5.2	13
60	152	52	133	29	75	84	2.1	102	2.6	7.9	20
80	203	70	177	39	100	113	2.9	137	3.5	10.5	27
100	254	87	221	49	125	141	3.6	171	4.4	13.1	33
150	381	131	332	74	187	213	5.4	258	6.5	19.6	50
200	508	174	443	98	249	284	7.2	344	8.7	26.2	66
250	635	218	553	123	311	356	9.0	430	10.9	32.7	83
300	762	261	664	147	374	427	10.8	-	-	39.3	100

The above numbers are approximate, and may be slightly different from the actual measurements.

MITSUBISHI ELECTRIC CORPORATION
HEAD OFFICE : TOKYO BLDG., 2-7-3, MARUNOUCHI, CHIYODA-KU, TOKYO 100-8310, JAPAN

To find out more about the XD530E and other projectors, visit us at

Global.MitsubishiElectric.com/projectors/