

# Black Line



## Available Screen Materials

### White



The screen fabric has a matt white surface.

### Greylight (gain 0.93)



The screen fabric has a high contrast matt grey surface.

### Greyline (gain 0.8)



The screen fabric has a high contrast matt grey surface.

### ReAct



Maximal contrast and optimal colour rendition in even ambient light environments.

### Acoustic



White sound transparent material which provides 180° viewing angle.

## Available Formats



The screen has 5 cm wide black borders. The format of the viewing area is 4:3.



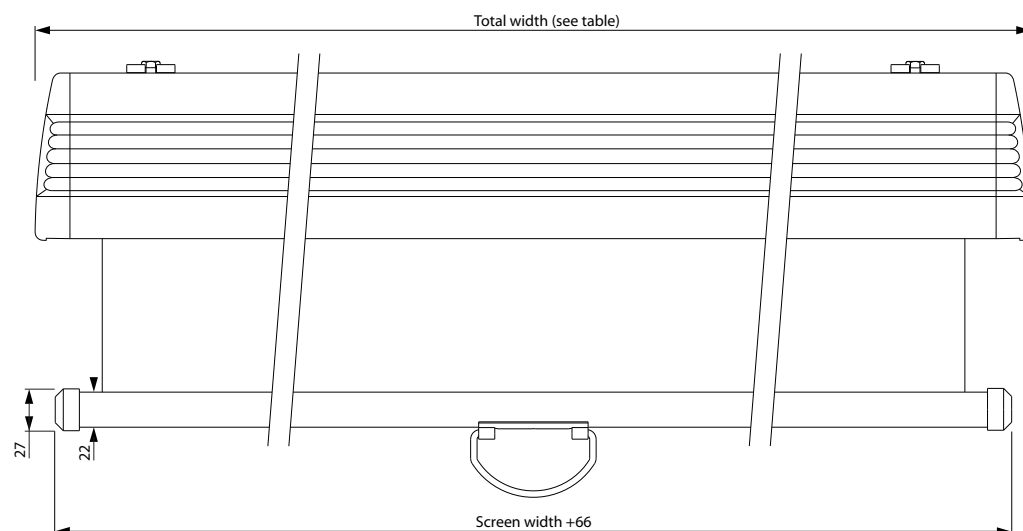
The screen has 5 cm wide black borders. The format of the viewing area is 16:9.



The screen has 5 cm wide black borders. The format of the viewing area is 2.35:1.

Black Line is a high quality screen which, thanks to the robust construction and flexible installation, is the preferred screen among our professional buyers. The installation is very flexible with mounting brackets that can be adjusted sideways to preferred positions. The screen can be mounted on the wall as well as in the ceiling. It comes in a black painted aluminium case and is operated manually.

## Screen Dimensions



Screen width	Total width
1600 - 2000	Screen width +86
2200 - 3000	Screen width +94

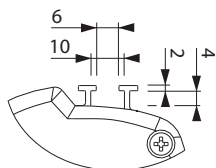
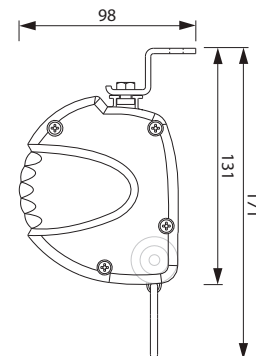
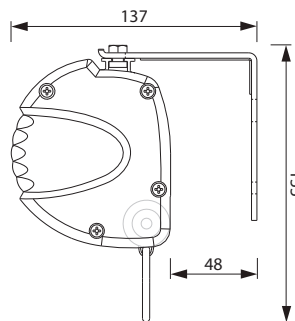
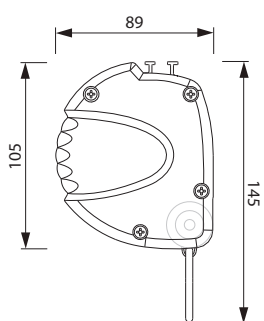
### Example - Black Line Dimensions

Model: BL1817-W

Screen width: 1800 mm

Total width: 1800 mm + 86 mm = 1886 mm

Bar width: 1800 mm + 66 mm = 1866 mm



All dimensions in this document are in mm

Document PDSBL ver 1.1, page 1 of 2



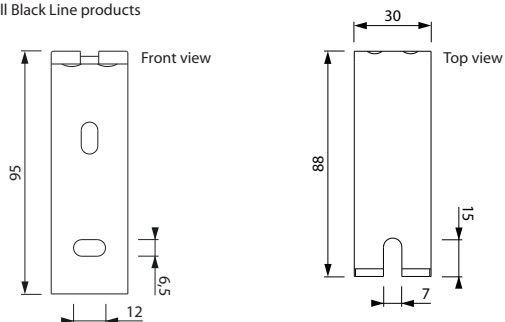
Bjurab Sweden AB  
 Kristinebergsvägen 22  
 SE-302 41 Halmstad  
 Sweden

Tel: +46 - 35 - 144290  
 Fax: +46 - 35 - 144291  
 Email: info@bjurab.se  
 Web: www.bjurab.se

## Bracket Dimensions

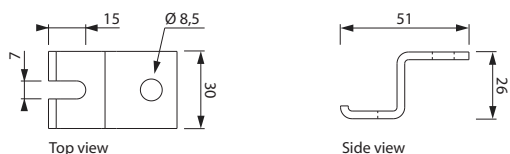
### Brackets – Wall

Included in all Black Line products

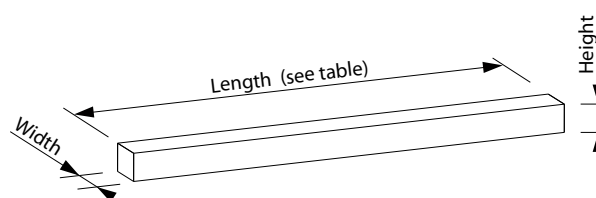


### Brackets – Ceiling

Included in all Black Line products



## Packaging Dimensions



Screen width	Box length	Box width	Box height
1600	1820	150	125
1800	2020	150	125
2000	2220	150	125
2200	2570	120	120
2400	2770	120	120
2700	3070	120	120
3000	3370	120	120

## Article Numbers for Black Line

### Video Format, 4 : 3

ART. NO	SCREEN SIZE WIDTH x HEIGHT	VIEW. AREA WIDTH x HEIGHT	WT. KG
BL1617-V	1600 x 1850	1500 x 1125	7.4
BL1817-V	1800 x 1850	1700 x 1275	7.8
BL2017-V	2000 x 1800	1900 x 1425	10.4
BL2217-V	2200 x 1800	2100 x 1575	11.8
BL2420-V	2400 x 2050	2300 x 1725	13.2
BL2724-V	2700 x 2200	2600 x 1950	15.1
BL3024-V	3000 x 2350	2900 x 2175	17.0

### Wide Format, 16 : 9

ART. NO	SCREEN SIZE WIDTH x HEIGHT	VIEW. AREA WIDTH x HEIGHT	WT. KG
BL1617-W	1600 x 1850	1500 x 845	7.4
BL1817-W	1800 x 1850	1700 x 955	7.8
BL2017-W	2000 x 1800	1900 x 1070	10.4
BL2217-W	2200 x 1800	2100 x 1180	11.8
BL2417-W	2400 x 1800	2300 x 1295	12.8
BL2724-W	2700 x 2050	2600 x 1460	15.0
BL3024-W	3000 x 2050	2900 x 1630	16.6

All weights are gross (total weight including packaging, brackets etc.).

Standard screen material is white. Screens with Greylight, Greyline, ReAct and Acoustic fabric are available in sizes with maximum height of 2400 mm.

For article numbers with Greylight replace BL by BGL. Example: An 2217-W with Greylight fabric = BGL2217-W

For article numbers with Greyline replace BL by BGL. Example: An 2217-W with Greyline fabric = BGL2217-W

For article numbers with ReAct replace BL by BLS. Example: An 2217-W with ReAct fabric = BLS2217-W

For article numbers with Acoustic replace BL by BLA. Example: An 2217-W with Acoustic fabric = BLA2217-W

For article numbers with CinemaScope (2.35:1), please see our pricelist.

## Accessories

### ARTICLE NO

485030	30 cm brackets, pair
485050	50 cm brackets, pair
485075	75 cm brackets, pair

### ARTICLE NO

340000	Magnetic strip, 60 cm
340004	Supermagnet with hook
400100	Drawstick, 100 cm

### ARTICLE NO

400140	Drawstick, 140 cm
400300	Screen Cleaning Spray, 250 ml

All dimensions in this document are in mm.

Document PDSBL ver 1.1, page 2 of 2



Bjurab Sweden AB  
Kristinebergsvägen 22  
SE-302 41 Halmstad  
Sweden

Tel: +46 – 35 – 144290  
Fax: +46 – 35 – 144291

Email: info@bjurab.se  
Web: www.bjurab.se